

Installation Instruction

⚠ WARNING

- To reduce the risk of death, personal injury or property damage from fire, electric shock, falling parts, cuts/abrasions, and other hazards read all warnings and instructions included with and on the fixture box and all fixture labels.
- Before installing, servicing, or performing routine maintenance upon this equipment, follow these general precautions.
- Commercial installation, service and maintenance of luminaires should be performed by a qualified licensed electrician.
- For the installation: If you are unsure about the installation or maintenance of the luminaires, consult a qualified licensed electrician and check your local electrical code.
- To prevent wiring damage or abrasion, do not expose wiring to edges of sheet metal or other sharp objects.
- Do not make or alter any open holes in an enclosure of wiring or electrical components during kit installation.

⚠ WARNING

- Turn off electrical power at fuse or circuit breaker box before wiring fixture to the power supply.
- Turn off the power when you perform any maintenance.
- Verify that supply voltage is correct by comparing it with the luminaire label information.
- All wiring connections should be capped with UL approved wire connectors.

⚠ CAUTION

- Avoid direct eye exposure to the light source while it is on.
- Account for small parts and destroy packing material, as these may be hazardous to children.
- Risk of burn. Disconnect power and allow fixture to cool before changing bulb or handling fixture.

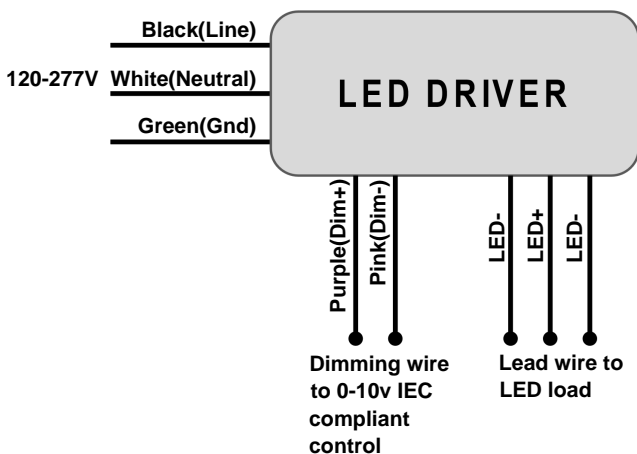
NOTICE: Green ground screw provided in proper location. Do not relocate.

NOTICE: Minimum 90° supply conductors.

NOTICE: Specifications and dimensions subject to change without notice.

NOTICE: Suitable for Dry or Damp location, Type IC.

General Wiring Diagram



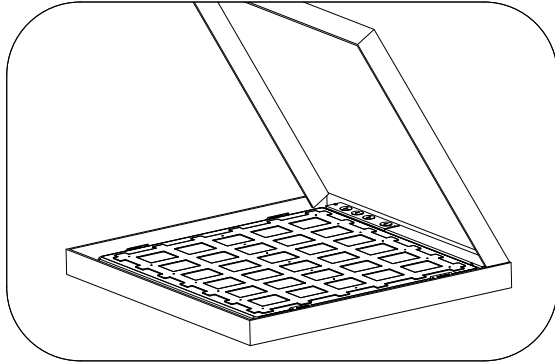
Installation Instruction

INSTRUCTIONS:

Always turn off the power supply from main circuit breaker first!

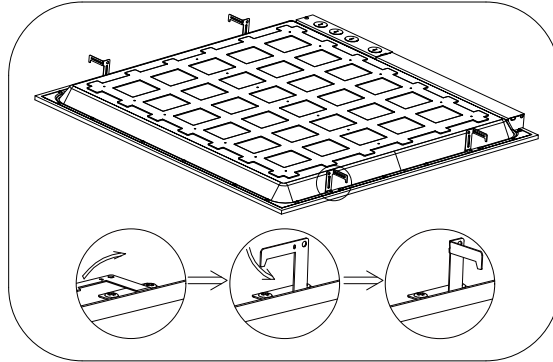
- Recessed Mounting

Figure 1



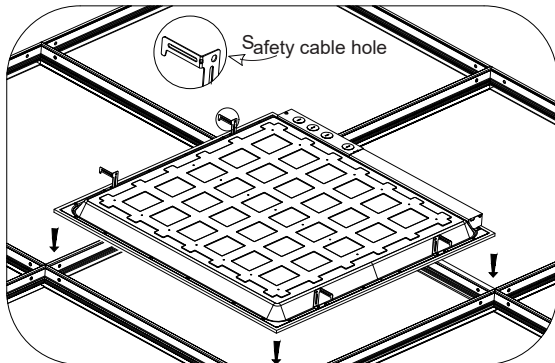
Carefully unpack unit and properly inspect for defects before installing. Wear work gloves to prevent dirt from being transferred to the luminaire. If cleaning is needed, use gloves and a dry cottoncloth.

Figure 2



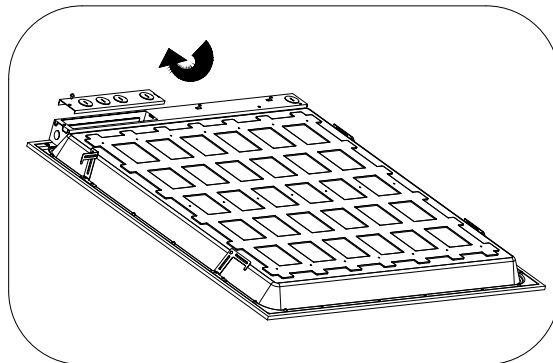
Lift up four mounting clips on the sides of the luminaire. You can do it by hand (Do wear work gloves) or use pliers

Figure 3



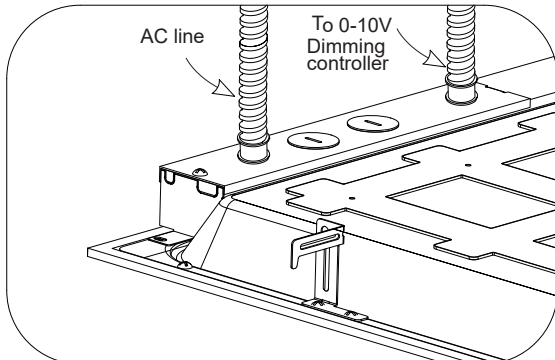
Insert luminaire into ceiling grid. Secure safety cable to meet local seismic requirements. Safety cable and method of attachment to the building provided by contractor according to local building codes.

Figure 4



Remove electrical enclosure cover. Carefully remove knockout for AC input wires and 0-10V control wires. Install listed electrical fittings in the knockout holes for wire protection if needed.

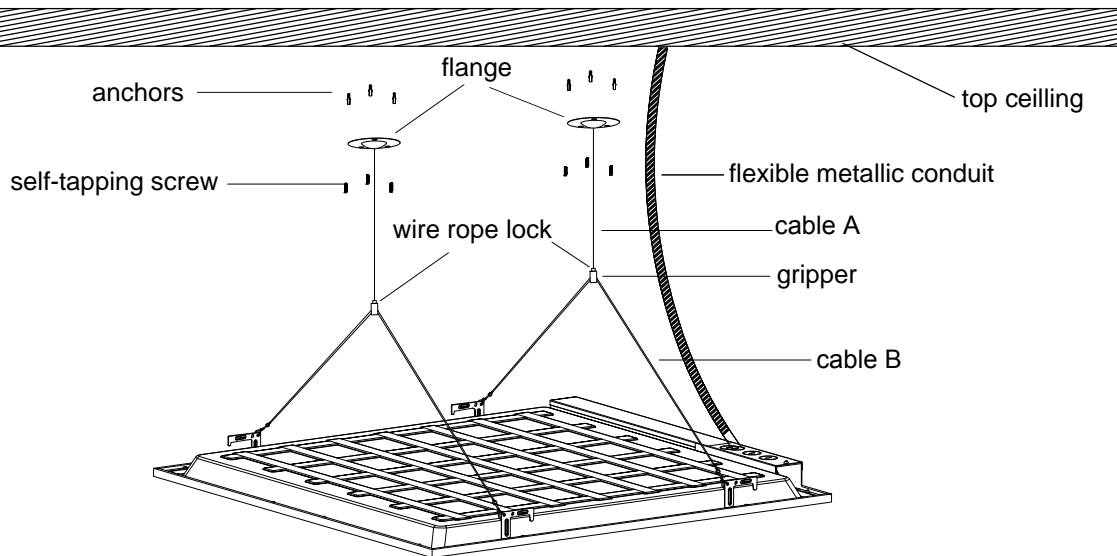
Figure 5



Make wiring to AC power supply (L and N, and GND) following the General Wiring Diagram. 0-10V dimming wires must run through a separate knockout hole equipped with an appropriate electrical fitting.

Installation Instruction

• Cable Suspended Mounting



Installation Steps:

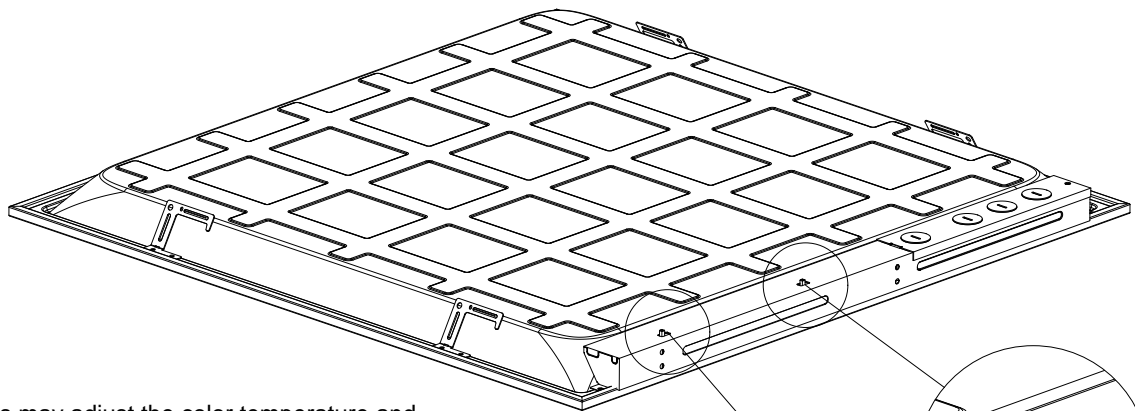
Step 1: Remove the A-rope from the Gripper and pass the A-rope through the flange. Secure the flange to the ceiling with the 3 anchors and 3 self-tapping screws. Repeat above steps to secure the other gripper wire.

Step 2: Insert the end of cable A into the Gripper. Adjust to desired height by pressing the gripper .

Step 3: Use the spring hooks on the ends of B-cable to hook the fixture clips and make final adjustments.

Step 4: Connect LED driver to AC mains power.

Field-Adjustable Wattage & CCT



The end users may adjust the color temperature and lumen output respectively by the two DIP switches. CCT switch is accommodated with 5 CCT options (2700K, 3000K, 3500K, 4000K, 5000K), and Power switch is accommodated with 4 Power options. The switches can perform the desired color temperature and lumen output combination.

Select a wattage and color temperature by sliding switch left or right respectively to the desired value.

CCT Switch

Wattage Switch

Installation Instruction

Additional Accessories

- MSB-DCI-08-BT5.0 / MS-DCI-08

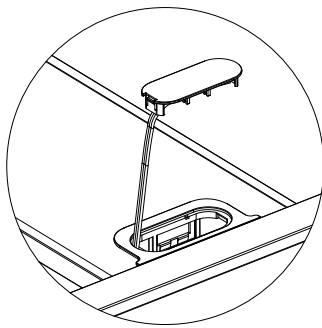
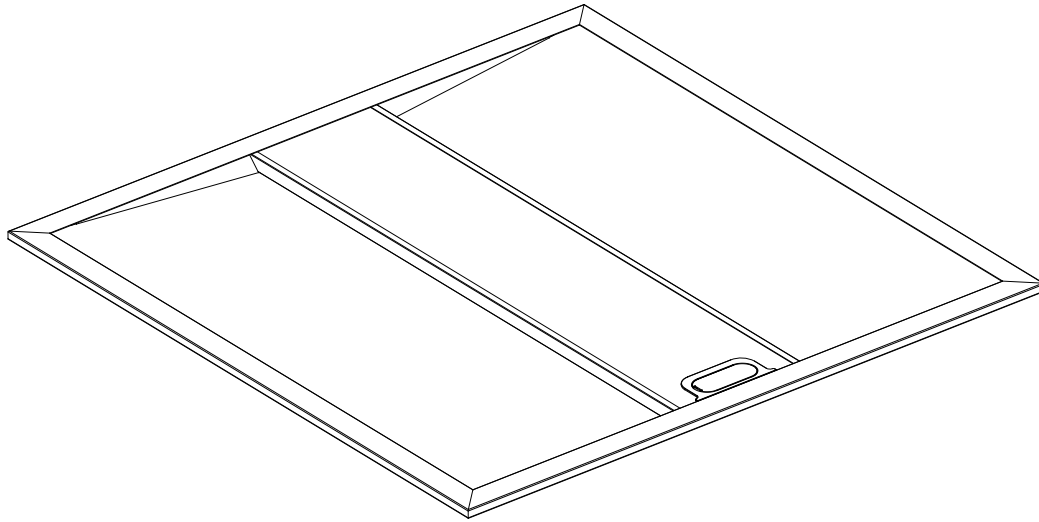


Fig. 1

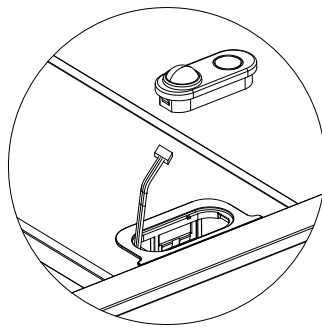


Fig. 2

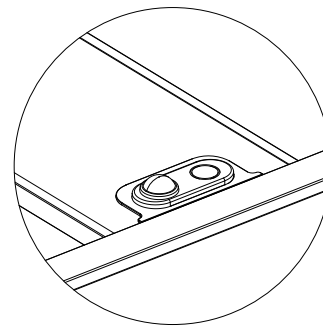


Fig. 3

Step 1, Remove the sensor hole plate before or after installing the fixture in the ceiling.(Fig.1)

Step 2, Remove the flat cable that were secured on the back of the plate.(Fig.2)

Step 3, Insert the connector into the approved sensor. (Fig.2)

Step 4, Install the sensor and make sure it is securely fit. (Fig.3)

General Wiring Diagram

