

ARCHED LINEAR LIGHT Installation Guide



WARNING

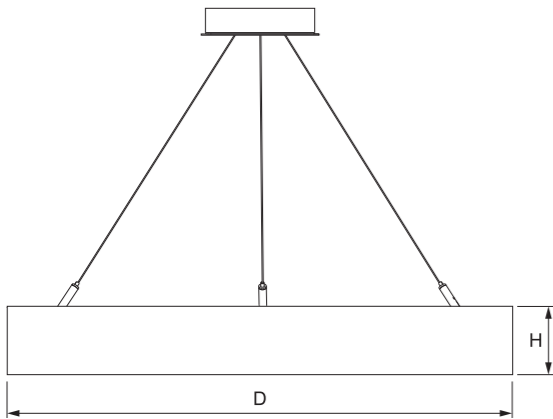
PLEASE FIND A QUALIFIED ELECTRICIAN FOR INSTALLATION.
Please read the instructions before installation and use.

- To reduce the risk of death, personal injury, or property damage from fire, electric shock, falling parts, cuts/abrasions, and other hazards, read all warnings and instructions included with and the fixture box and fixture labels.
- Before installing, servicing, or performing routine maintenance upon this equipment, follow these general precautions.
- Commercial installation, service, and maintenance of luminaires should be performed by a qualified licensed electrician.
- If you are unsure about the installation or maintenance of the luminaires, consult a qualified licensed electrician. Please abide by all relevant country, regional, and local code requirements and regulations when installing this luminaire. Wiring must be in accordance with NEC and all applicable local codes.
- **DO NOT INSTALL DAMAGED PRODUCT!** This luminaire has been properly packed so that no parts should have been damaged during transit. Inspect to confirm. Any part damaged or broken during or after assembly should be replaced.
- Do not make or alter any holes unnecessarily in an enclosure of wiring or electrical components during the installation.
- Turn off electrical power at the fuse or circuit breaker box before wiring fixture to the building power.
- Verify that supply voltage is correct by comparing it with the luminaire label information. Do not install with supply voltage that exceeds the rated input voltage of the luminaire.

CAUTION

- Do not install in wet locations. For dry and damp use only.
- The electrical rating of this product is 120-277V. Installer must confirm that there is 120-277V at the fixture before installation.
- Under no circumstances can the lighting fixture be covered with heat insulation gasket or similar materials.

DRYWALL PENDANT MOUNT INSTALLATION



Size	D	H
2FT	23.62" (600 mm)	3.15" (80 mm)
3FT	35.43" (900 mm)	
4FT	47.24" (1200 mm)	

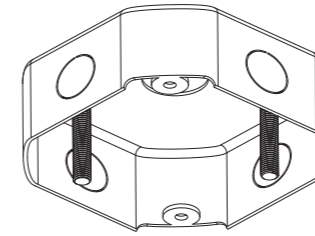
1 	2 	3 	4 	5 	6
7 	8 	9 	10 	11 	12



To ensure compliance, junction box volume and sizing must meet the requirements of the NEC and local electrical codes. Note that this luminaire is equipped with an 18 AWG, 5-wire power cord and a separate 18 AWG ground conductor. The use of a junction box extension may be required.

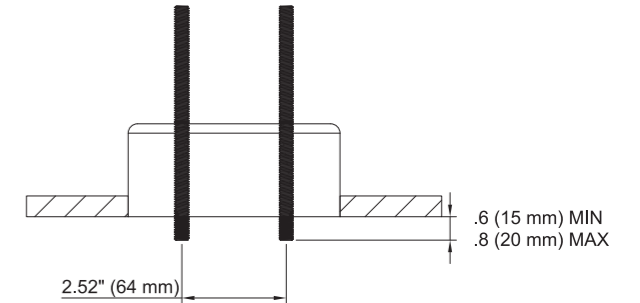
Pre-installation Preparation

1



Install J-box (by others) and 1/4" rods (by others) secure rods to structure above.

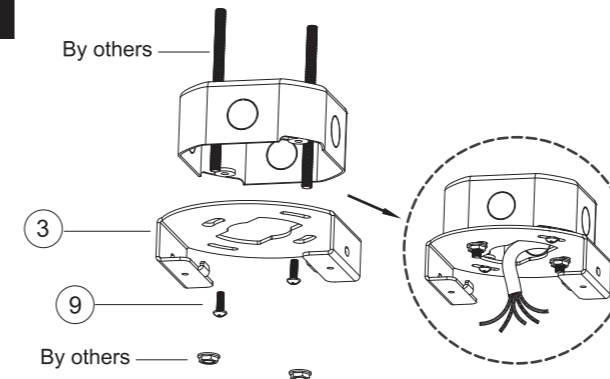
2



Threaded rods must extend .6 min/.8 max beyond the ceiling plane.

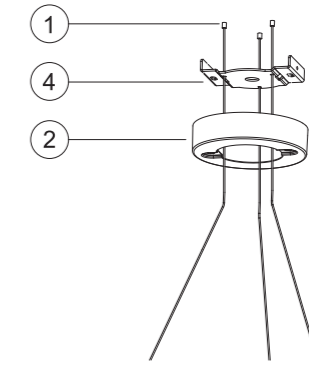
Installation Procedure

1



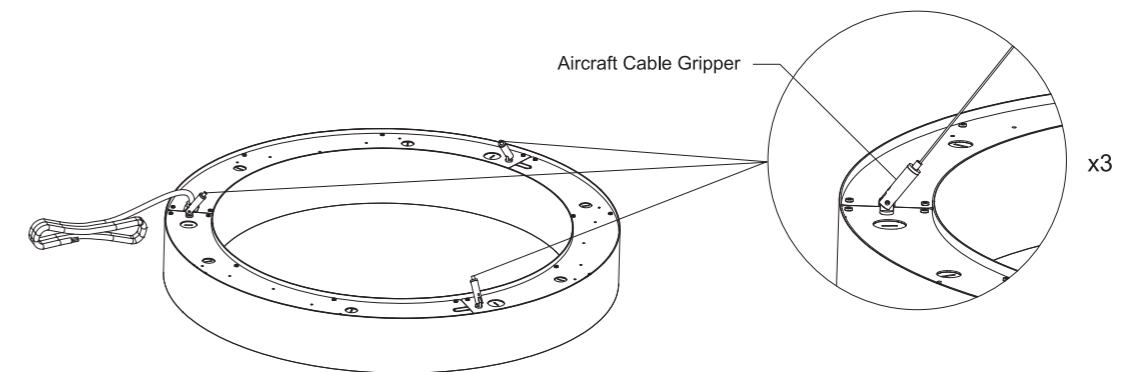
Use nuts (matching the J-Box) and screws to fasten the mounting bracket to the junction box, and pull out the wires.

2



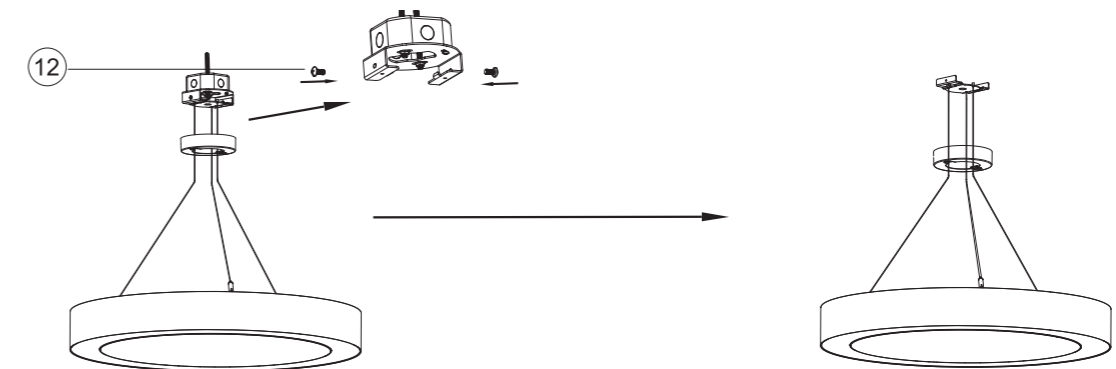
Pass the aircraft cables through the fixing bracket and the canopy.

3



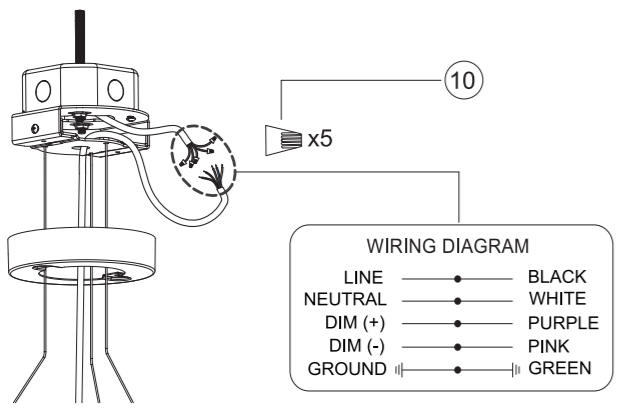
Thread the three aircraft cables through the grippers, and then adjust the cable lengths.

4



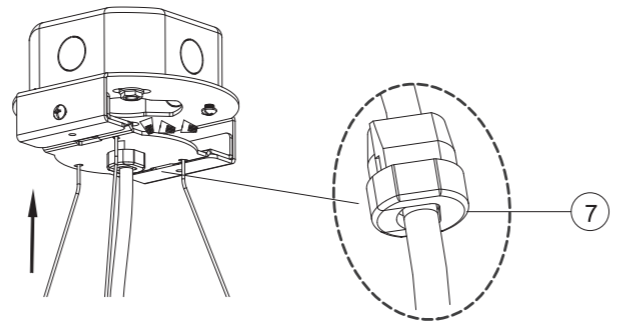
Place the fixing bracket into the mounting bracket and fasten it with screws.

5



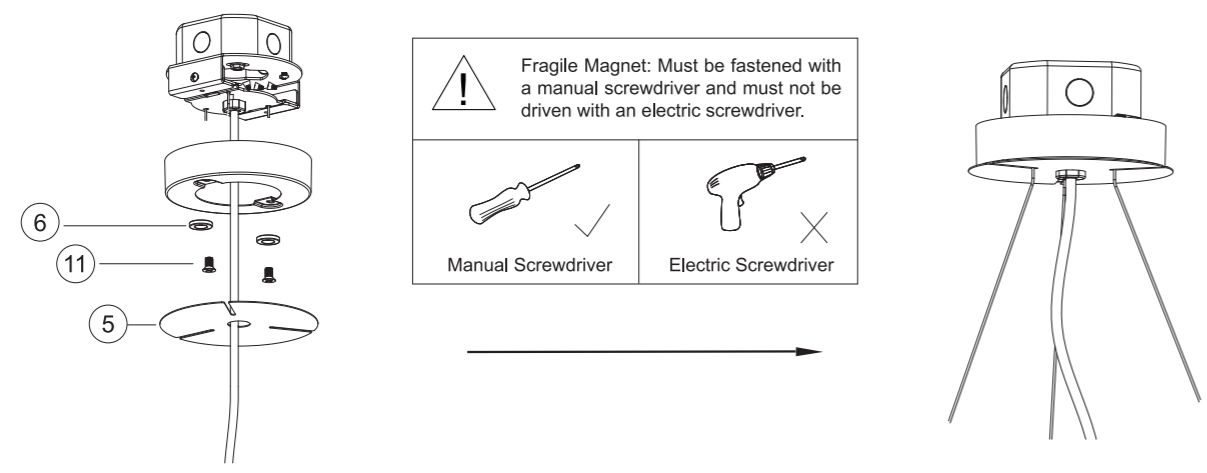
Thread the power cord through the canopy and fixing bracket, then connect it to the mains with the wire nuts.

6



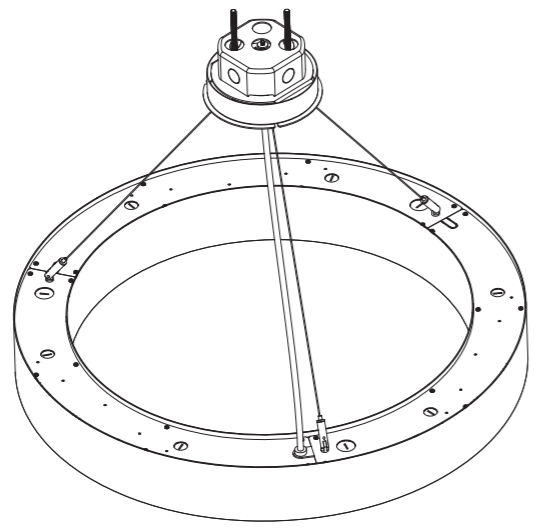
Tuck the wires back into the bracket and secure the power cord with the cable clamp.

7



Fasten the canopy and magnets to mounting bracket with screws, thread the cover through the power cord and attach it to the magnets.

8



The installation is now complete.